

# Product datasheet

Specifications



## TSX Micro 37 21/22 PLC configurations

TSX3721001

❗ **Discontinued on:** 31 December 2019

❗ **To be end-of-service on:** 31 December 2027

❗ **Discontinued**

TSX3721001 has not been replaced. Please contact your customer care centre for more information.

### Main

Range of product	Modicon TSX Micro automation platform
Product or component type	Modular base controller
Primary voltage	100...240 V 90...264 V AC
Input current	2 mA 60 A
Immunity to microbreaks	20 ms
Output current	0.5 A

### Complementary

Number of slots	3
Integrated connection type	1 serial link (TER/AUX) Uni-Telway 19.2 kbit/s 1 Modbus Modbus RTU 19.2 kbit/s
Realtime clock	With
Memory description	Flash 15 Kwords data Internal RAM 20 Kwords data Internal RAM (with PCMCIA card) 128 Kwords program and data Internal RAM 128 Kwords data storage
Maximum size of object areas	128 %KWi constant words 256 %Mi 1 %MWi internal words
Execution time per instruction	0.13 µs Boolean without PCMCIA card 4.5 µs arithmetic REAL floating without PCMCIA card 0.19 µs Boolean with PCMCIA card 4.5 µs arithmetic REAL floating with PCMCIA card
Execution time for 1 Kinstruction	5.88 100 % Boolean without PCMCIA card 0.27 65 % Boolean and 35 % numerical without PCMCIA card 4 100 % Boolean with PCMCIA card 0.266 65 % Boolean and 35 % numerical with PCMCIA card
Application structure	16 event tasks 1 master task 1 fast task
System overhead	1.6 ms for master task
Protection type	Overload protection Short-circuit
Total useful secondary power	16 W
Electromagnetic compatibility	Electrostatic discharge conforming to IEC 1000-4-2 level 3 Electromagnetic field immunity test conforming to IEC 1000-4-3 level 3 Resistance to fast transient conforming to IEC 1000-4-4 level 3 Immunity to impulse waves conforming to IEC 1000-4-5 Damped oscillatory wave conforming to IEC 1000-4-12

## Environment

Ambient air temperature for operation	0...60 °C
Ambient air temperature for storage	-25...70 °C
Relative humidity	10...95 % without condensation for operation 5...95 % without condensation for operation
Operating altitude	0...2000 m
Width	341.4 mm
Height	151 mm
Depth	152 mm
Net weight	1.72 kg

## Packing Units

Unit Type of Package 1	PCE
Number of Units in Package 1	1
Package 1 Weight	1.824 kg
Package 1 Height	15 cm
Package 1 width	17 cm
Package 1 Length	24 cm
Unit Type of Package 2	S04
Number of Units in Package 2	4
Package 2 Weight	7.99 kg
Package 2 Height	30 cm
Package 2 width	40 cm
Package 2 Length	60 cm

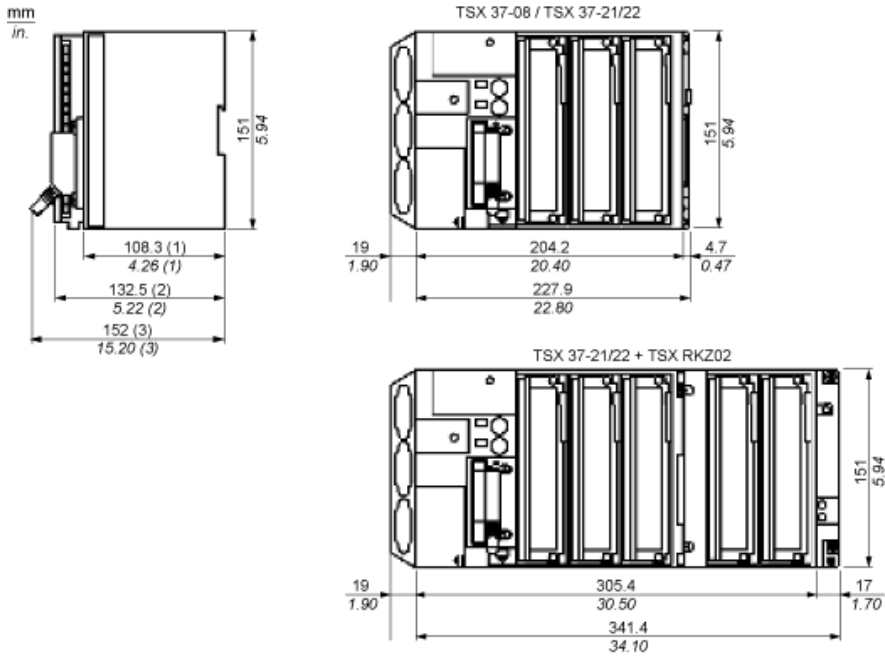
## Offer Sustainability

EU RoHS Directive	Pro-active compliance (Product out of EU RoHS legal scope) <a href="#">EU RoHS Declaration</a>
Mercury free	Yes
RoHS exemption information	<a href="#">Yes</a>
China RoHS Regulation	<a href="#">China RoHS declaration</a>
WEEE	The product must be disposed on European Union markets following specific waste collection and never end up in rubbish bins

## Contractual warranty

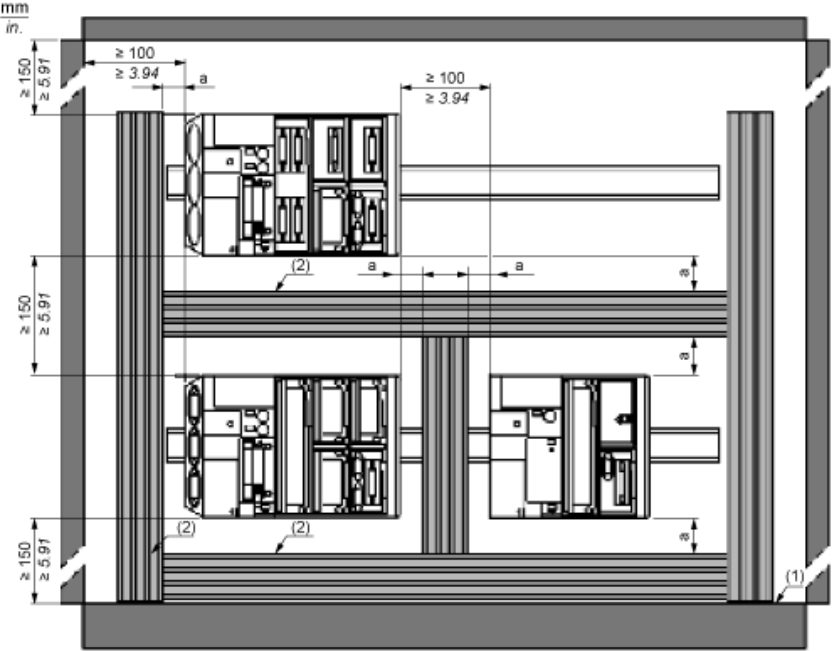
Warranty	18 months
----------	-----------

**Dimensions**



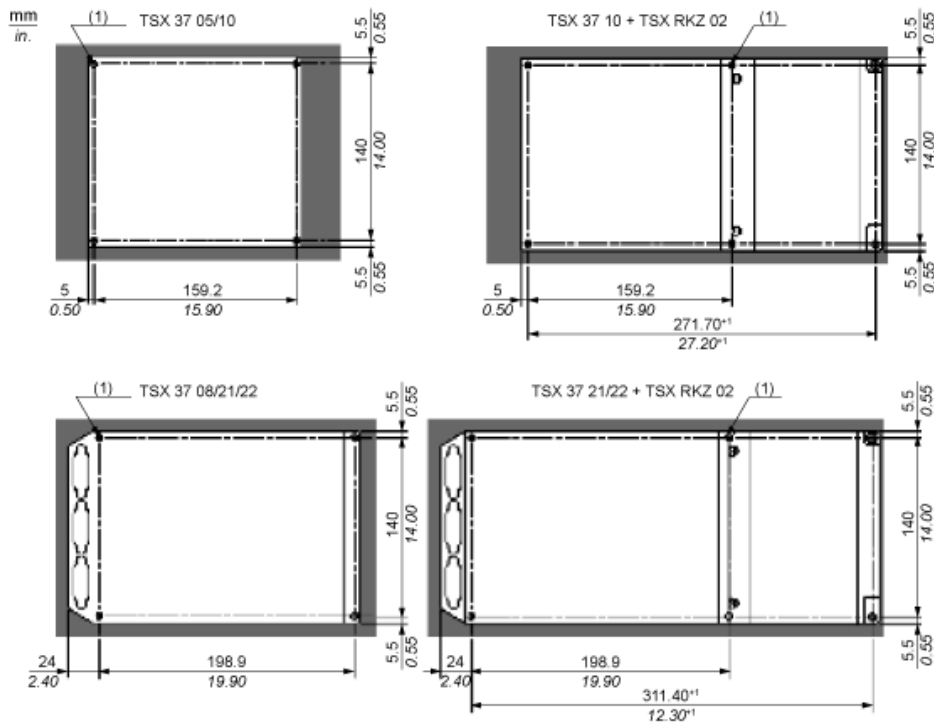
- (1) PLC empty.
- (2) With screw terminal block.
- (3) With HE10 or SubD connector.

**Spacing Requirements**



- a** 50 mm/1.97 in. minimum
- (1)** Installation or casing
- (2)** Trough or cable tray

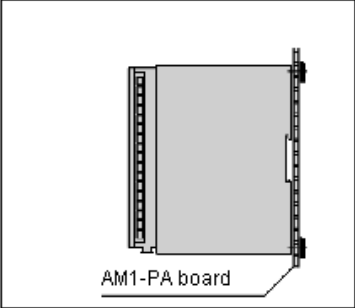
**Panel/Board Mounting**



**Telequick Board Mounting**

---

**Side View**



Use 4 screws with M4x16AF1-VA416 captive washers and 4 M4 AF1-EA4 clip nuts.