

Product data sheet

Specifications



discrete output module Modicon Premium - 16 O solid state

TSXDSY16T2

! Discontinued on: 31 December 2018

! To be end-of-service on: 31 December 2026

! Discontinued - Service only

Main

Range of product	Modicon Premium Automation platform
Product or component type	Discrete output module
Discrete output number	16
Discrete output type	Solid state protected
Discrete output voltage	24 V DC positive conforming to EN/IEC 61131-2 19...30 V
Discrete output current	0.5 A

Complementary

Current per channel	0.625 A
Maximum current per module	7 A
Maximum leakage current	0.5 mA at state 0
[Ures] residual voltage	1.2 V
Response time	1.2 ms
Switching frequency	0.5/LI ² Hz
Output overvoltage protection	By transil diode
Reverse polarity protection	Reverse mounted diode
Output overload protection	Electronic tripping on reactivation
Short-circuit protection	Electronic tripping on reactivation
Preactuator voltage detection threshold	16 V
Minimum load impedance	48 W
Isolation resistance	> 10 MOhm 500 V
Power dissipation	(1.1 W + 0.75 W x No of outputs x current per module)
Marking	CE
Electrical connection	Screw terminal block
Current consumption	80 mA at 5 V DC
Module format	Standard
Net weight	0.34 kg

Disclaimer: This documentation is not intended as a substitute for and is not to be used for determining suitability or reliability of these products for specific user applications

Environment

Dielectric strength	1500 V 50/60 Hz 60 s
Standards	CSA C22.2 No 213 Class I Division 2 Group C CSA C22.2 No 142 93/68/EEC CSA C22.2 No 213 Class I Division 2 Group D 89/336/EEC CSA C22.2 No 213 Class I Division 2 Group A UL 508 IEC 61131-2 CSA C22.2 No 213 Class I Division 2 Group B 73/23/EEC 92/31/EEC
Product certifications	DNV RMRS GL BV ABS RINA LR
Ambient air temperature for operation	0...60 °C
Ambient air temperature for storage	-25...70 °C
Relative humidity	10...95 % without condensation for operation 5...95 % without condensation for storage
Operating altitude	0...2000 m
Protective treatment	TC
IP degree of protection	IP20
Pollution degree	2

Packing Units

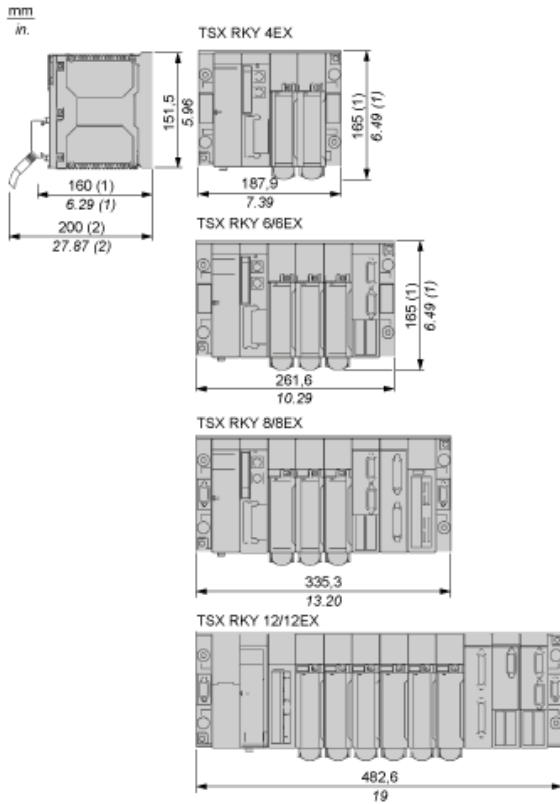
Unit Type of Package 1	PCE
Number of Units in Package 1	1
Package 1 Weight	453 g
Package 1 Height	5.5 cm
Package 1 width	18 cm
Package 1 Length	26 cm
Unit Type of Package 2	S03
Number of Units in Package 2	8
Package 2 Weight	3.977 kg
Package 2 Height	30 cm
Package 2 width	30 cm
Package 2 Length	40 cm

Contractual warranty

Warranty	18 months
-----------------	-----------

Standard and Extendable Racks for Modules Mounting

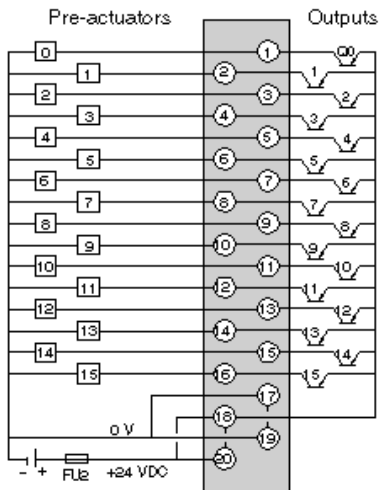
Dimensions of Modules and Racks



- (1) With screw terminal block modules.
- (2) Maximum depth for all types of modules and their associated connectors.

24 Vdc Discrete Transistor Output 16-Channel Module

Wiring Diagram



FU2 6.3 A quick-blow fuse

Recommended replacement(s)

TSXDSY16T2 is replaced by:

1x



discrete output module X80 - 16 outputs - solid state - 24 V DC positive
BMXDDO1602